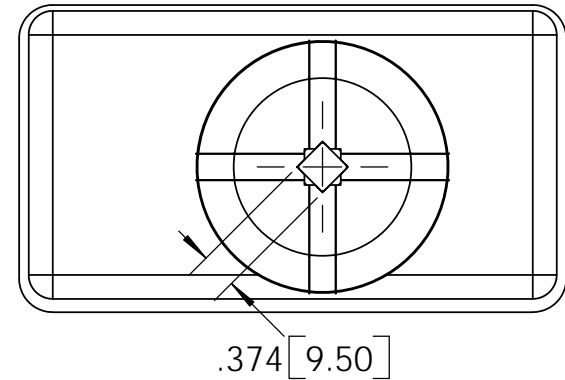
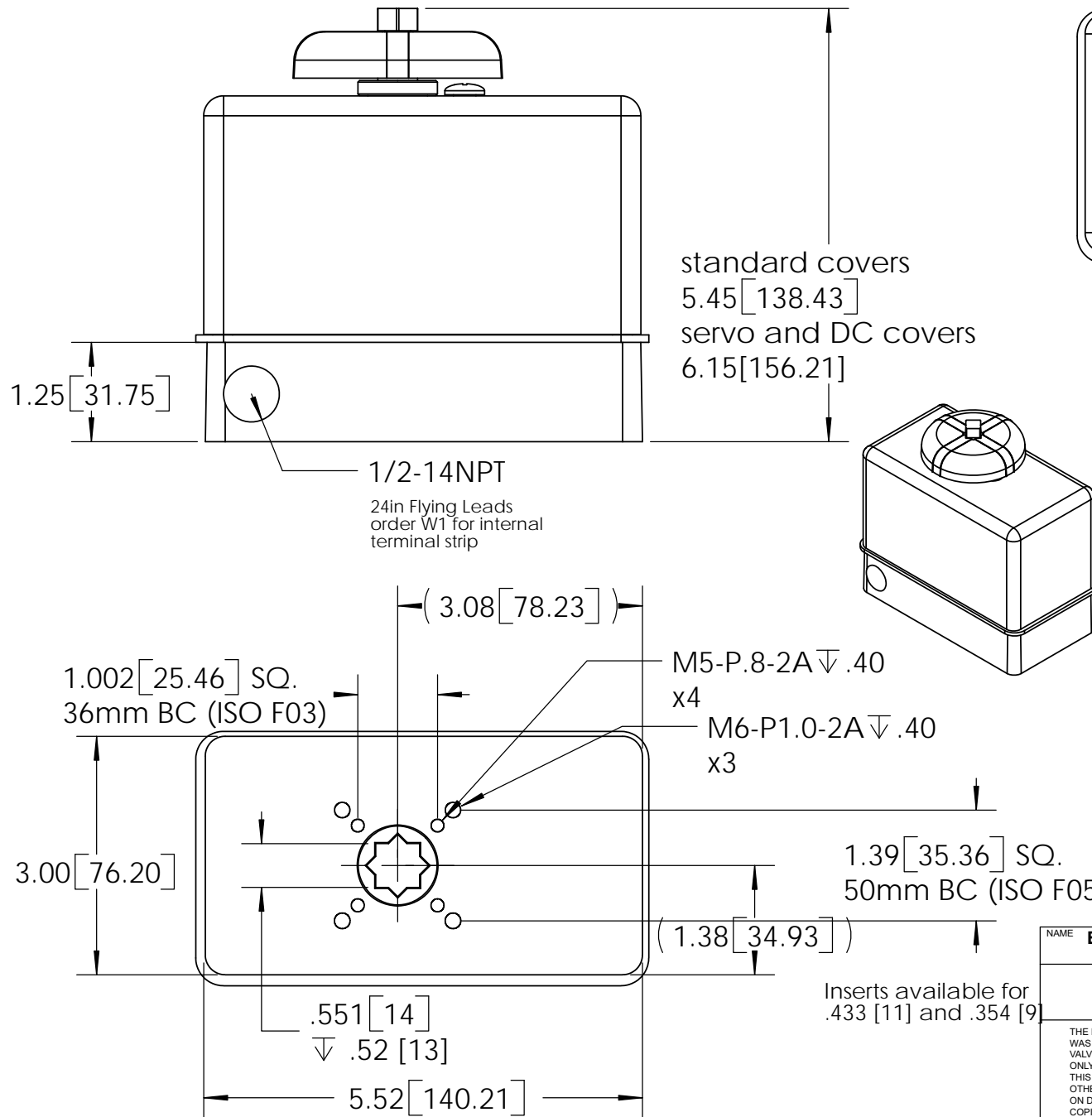


800124

Valvsys, LLC: EV Series Electric Actuator Nema 4, 4X



Model	Torque		Cycle sec
	in-lbs	Nm	
EV06	65	7.4	3
EV1	125	14.2	3
EV2	200	22.7	7
EV3	300	34.1	7

Cycle times are AC, DC is faster. Other cycle times available

- Model:** Standard Features
- Motor:** Reversible
- Indicator:** Standard
- Corrosion Protection:** Polyester Coated Aluminum Base
- Cover Screw:** Stainless
- Manual Override:** Stainless
- Output Shaft:** Steel Nickel Plate
- Switch:** 15amp SPDT
- Lubrication:** Permanent
- Operating Temp:** 0°-160°F (-18°-71°C)
- Mounting:** ISO 5211 - F05

NAME EV Series Electric Actuator		DWN BF	CHKD
		03.07.01	
		REV.	
		SCALE	
<small>THE DESIGN AND DISCLOSURE CONTAINED IN THIS DRAWING WAS ORIGINATED BY, AND IS THE EXCLUSIVE PROPERTY OF VALVSY, LLC. IT IS FURNISHED FOR VENDOR INFORMATION ONLY AND IS NOT AN AUTHORIZATION -OR- LICENSE TO MAKE THIS CONSTRUCTION OR TO FURNISH THIS INFORMATION TO OTHERS. ALL DRAWINGS MUST BE RETURNED TO VALVSY, LLC ON DEMAND. THIS DRAWING IS NOT TO BE REPRODUCED OR COPIED IN ANY FORM WITHOUT THE EXPRESS WRITTEN PERMISSION OF VALVSY, LLC.</small>		<small>TOLERANCE UNLESS OTHERWISE SPECIFIED: TWO PLACE DECIMAL: DIM. +/- 0.02 THREE PLACE DECIMAL: DIM. +/- 0.010 ANGULAR DIM. +/- 0°-30°</small>	
		DO NOT SCALE DRAWINGS	

800124

REV. E