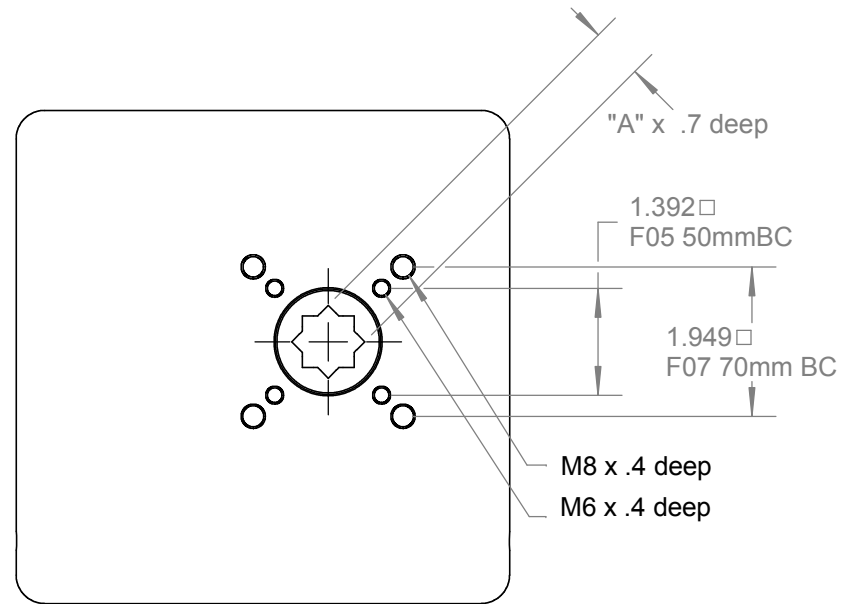
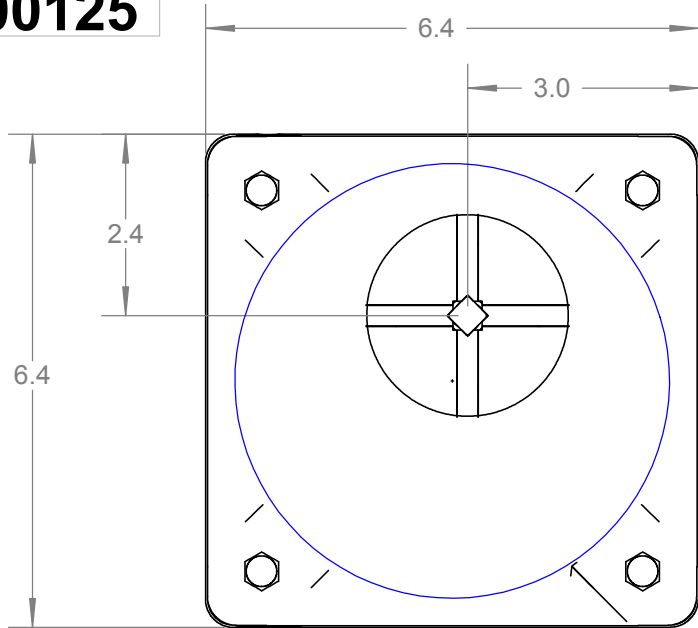
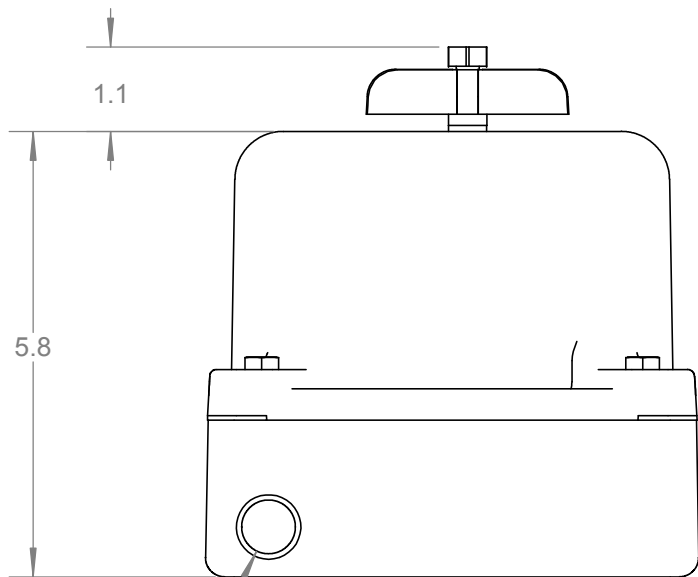


800125



Valve Mounting Detail



1/2-14NPT x2

Valve Mounting Detail

Designed to meet:
 NEMA 4, 4X, 7, 9
 Class I Grps C, D div 1,2
 Class II Grps E, F, G div 1,2

Model	Torque		"A"
	inlbs	Nm	mm
XV3	350	40	14
XV4	475	54	14
XV6	625	71	17
XV7	725	82	17
XV1K	1000	114	17
XV1.5K	1500	170	17

Actuator shown full clockwise as shown from the manual override side.

NAME XV Electric Actuator	DWN BF 3.07.01	CHKD
Valvsys	421 BREADEN DR #15 MONROE, OH 45050-1575 (513) 539-1234 (513) 539-2176	REV.
		SCALE
<small>THE DESIGN AND DISCLOSURE CONTAINED IN THIS DRAWING WAS ORIGINATED BY, AND IS THE EXCLUSIVE PROPERTY OF VALVSYS, LLC. IT IS FURNISHED FOR VENDOR INFORMATION ONLY AND IS NOT AN AUTHORIZATION -OR- LICENSE TO MAKE THIS CONSTRUCTION OR TO FURNISH THIS INFORMATION TO OTHERS. ALL DRAWINGS MUST BE RETURNED TO VALVSYS, LLC ON DEMAND. THIS DRAWING IS NOT TO BE REPRODUCED OR COPIED IN ANY FORM WITHOUT THE EXPRESS WRITTEN PERMISSION OF VALVSYS, LLC.</small>		<small>TOLERANCE UNLESS OTHERWISE SPECIFIED: TWO PLACE DECIMAL: DIM. +/- 0.02 THREE PLACE DECIMAL: DIM. +/- 0.010 ANGULAR DIM. +/- 0°-30°</small>
		DO NOT SCALE DRAWINGS

800125 B