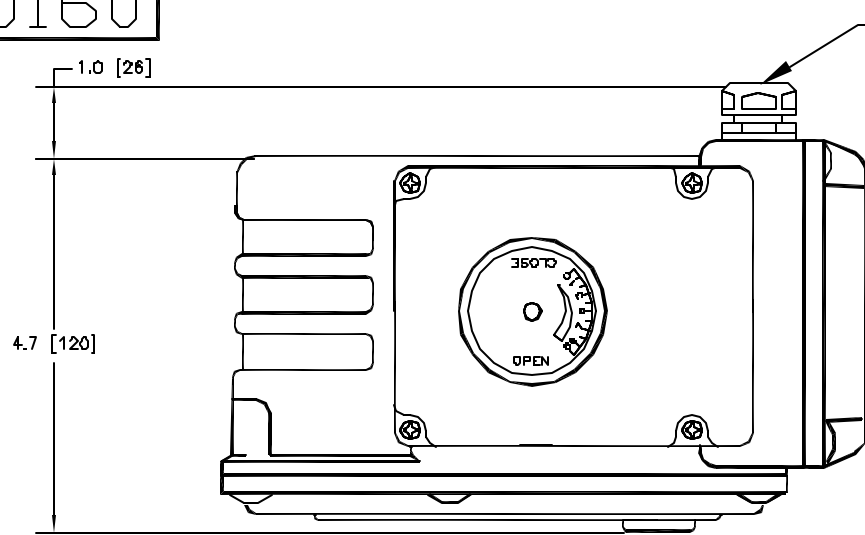
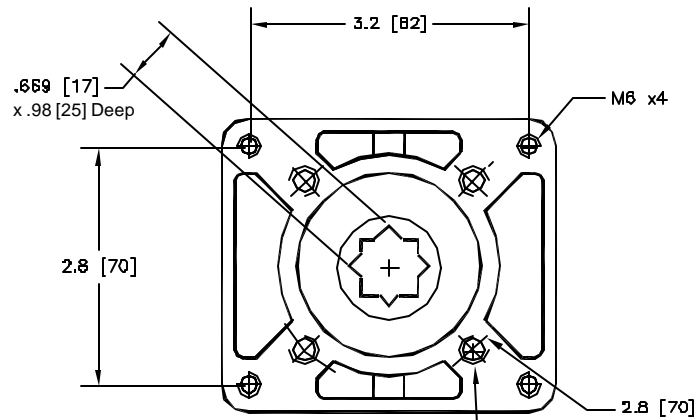


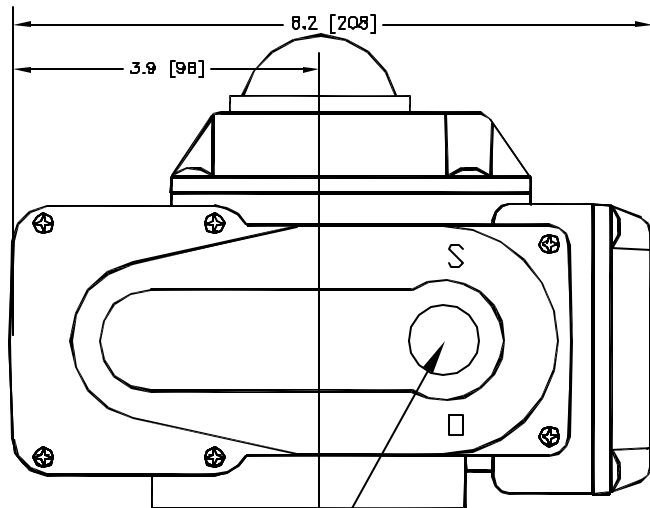
800160



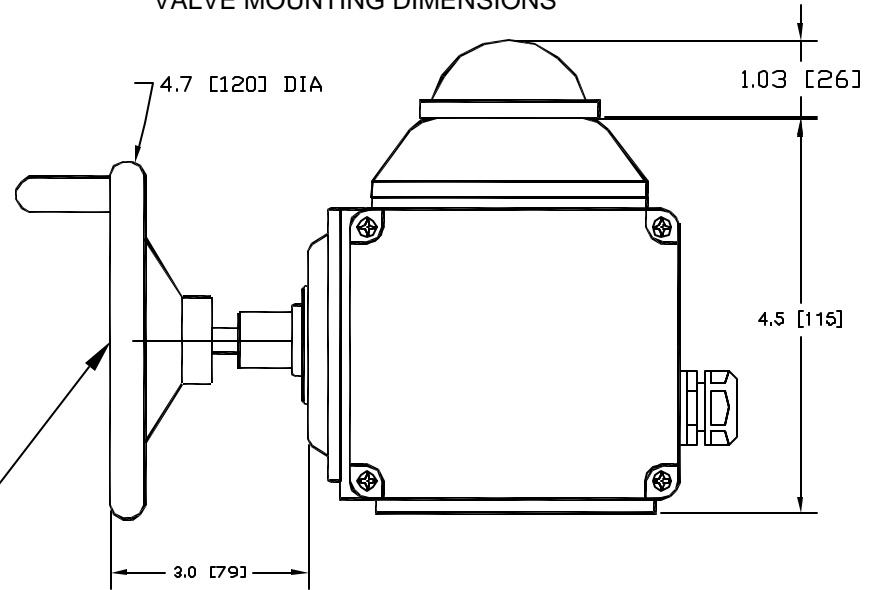
1/2NPT Cable Gland



VALVE MOUNTING DIMENSIONS



Direct Acting Manual Override



Optional Handwheel Override

NL8 (880inlbs - 100Nm)
 NL1.4K (1400inlbs - 160Nm)

CONVERT DIM FROM MM

| | | | | |
|---|--|----------|--------|--|
| NAME NL8 Electric Actuators | | DWN BF | CHKD. | 800160C |
| 421 Broaden Dr STE 15 Nonroe, Ohio 43060 CS130 539-1234 Fax: CS130 539-2176 | | 10.12.03 | REV. C | |
| | | SCALE | | TOLERANCE UNLESS OTHERWISE SPECIFIED: TWO PLACE DECIMAL DIM +/- .02 THREE PLACE DECIMAL DIM +/- .010 ANGULAR DIM +/- 0' -30' DO NOT SCALE DRAWINGS |
| THE DESIGN AND DISCLOSURE CONTAINED IN THIS DRAWING WAS ORIGINATED BY, AND IS THE EXCLUSIVE PROPERTY OF VALVSYS LLC. IT IS FURNISHED FOR VENDOR INFORMATION ONLY AND IS NOT AN AUTHORIZATION -OR- LICENSE TO MAKE THIS CONSTRUCTION OR TO FURNISH THIS INFORMATION TO OTHERS. ALL DRAWINGS MUST BE RETURNED TO VALVSYS LLC ON DEMAND. THIS DRAWING IS NOT TO BE REPRODUCED OR COPIED IN ANY FORM WITHOUT THE EXPRESS WRITTEN PERMISSION OF VALVSYS LLC. | | | | |
| DO NOT SCALE DRAWINGS | | | | |