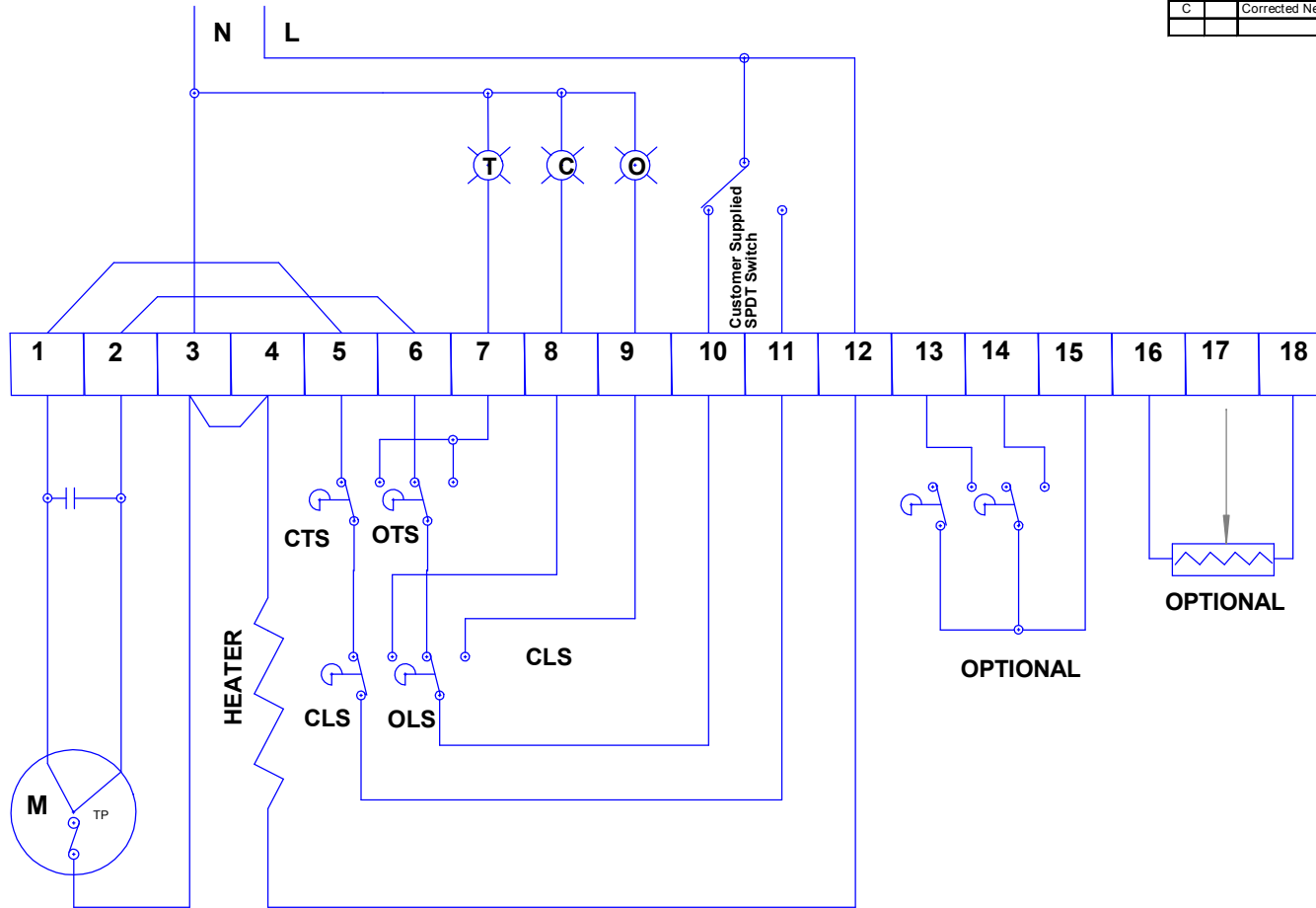


815287

REV	ECN	DESCRIPTION	DWN	DATE
B		Switched Open and Closed Tags	BF	12/26/2007
C		Corrected Neutral	BF	12/28/2008



- CLS** Close Limit Switch
- OLS** Open Limit Switch
- CTS** Close Torque Switch
- OTS** Open Torque Switch
- TP** Thermal Protector

NAME	NT S series with torque switches	DWN	BF	CHKD	
	Valvsys	421 BREADEN DR #15 MONROE, OH 45050-1575 (513) 539-1234 (513) 539-2176			REV.
					SCALE
<p>THE DESIGN AND DISCLOSURE CONTAINED IN THIS DRAWING WAS ORIGINATED BY, AND IS THE EXCLUSIVE PROPERTY OF VALVSYS, LLC. IT IS FURNISHED FOR VENDOR INFORMATION ONLY AND IS NOT AN AUTHORIZATION -OR- LICENSE TO MAKE THIS CONSTRUCTION OR TO FURNISH THIS INFORMATION TO OTHERS. ALL DRAWINGS MUST BE RETURNED TO VALVSYS, LLC ON DEMAND. THIS DRAWING IS NOT TO BE REPRODUCED OR COPIED IN ANY FORM WITHOUT THE EXPRESS WRITTEN PERMISSION OF VALVSYS, LLC.</p>				<p>TOLERANCE UNLESS OTHERWISE SPECIFIED: TWO PLACE DECIMAL: DIM. +/- 0.02 THREE PLACE DECIMAL: DIM. +/- 0.010 ANGULAR DIM. +/- 0°-30°</p>	
				DO NOT SCALE DRAWINGS	

815287
REV. C