

Rugged Valve Automation

421 BREADEN DR. #15

MONROE, OH 45050-1575

PH 513.539.1234

FX 513.539.2176

NT Series

Travel and Torque Switches
 10amp SPDT with position feedback.

High Strength Heat Treated Gears

Planetary gear design.
 No de-clutch required.

Optional Heater & Thermostat

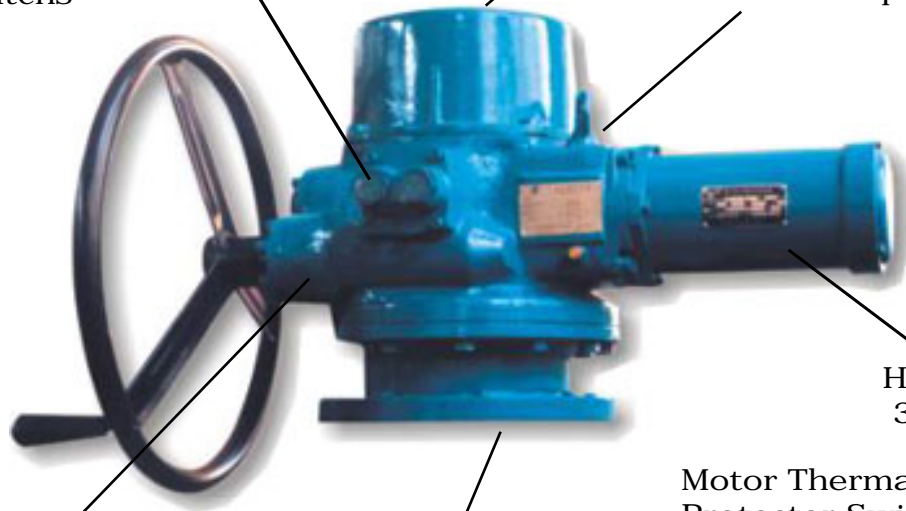
Other options available.

Worm Gear Drive

NPT Conduit Entry
 with cable gland protector.

Visual Dial Position Indicator

Travel Stops



Heavy Duty 3Ph Motors

Motor Thermal Protector Switch
 Automatically re-setting

Removable Drive Nut

Allows machining to exact valve requirements for easy adaption to valve stem.

IP67 Design Housing Protection

Similar to NEMA 12 for protection against dust and water jet spray.

Standard Features:

Compact - Reliable:

Ideal for butterfly valve automation. Because of the worm drive gear, the NT unit is ideally suited for rubberlined butterfly valves. Worm gears are typically used on applications to prevent back driving which causes excessive valve oscillations.

Modulating Control with Digital Calibration

4-20mA, 1-5Vdc input allows complete control over valve position. Push button setup is digitally stored. Comes standard with 4-20mA output.

Optional Motor Voltages

115Vac, 230Vac
 380Vac
 12, 24Vdc
 consult factory for other voltages



Options:

Relays, feedback sensors,...

Consult factory for custom electrical requirements.

Superior Valve Automation



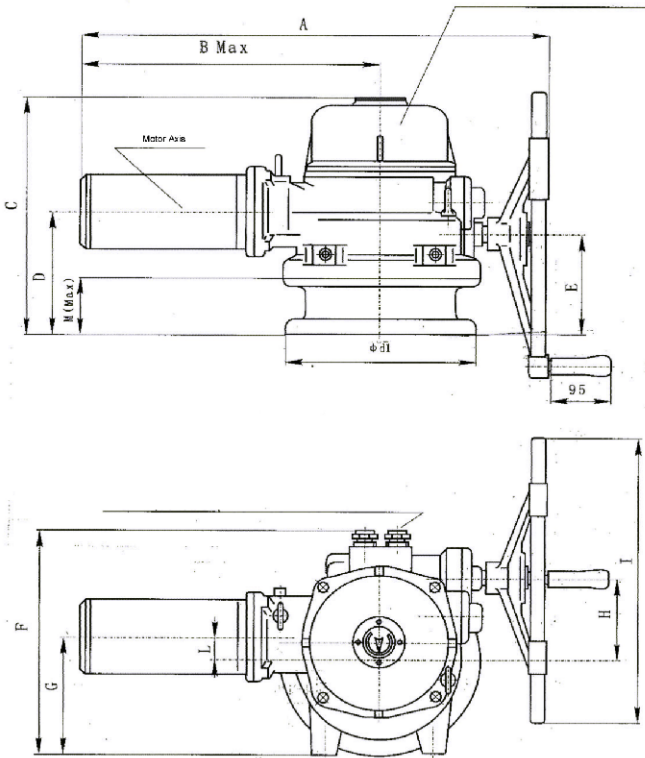
421 BREADEN DR. #15

MONROE, OH 45050-1575

PH 513.539.1234

FX 513.539.2176

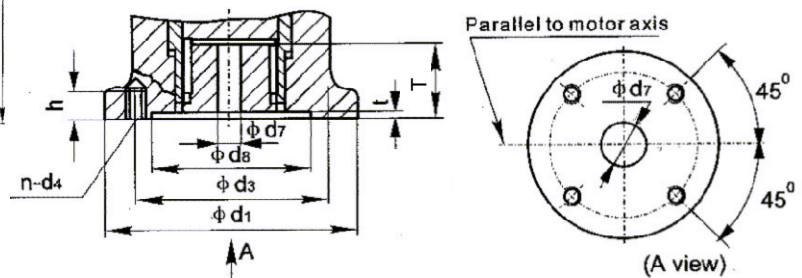
Dimensional:



	NT60/ NT250	NT400/ NT600	NT800/ NT1200
A	23.0	26.0	35.8
B	14.2	15.0	20.6
C	13.8	16.3	16.9
D	6.1	7.9	9.4
E	4.8	6.5	8.1
F	14.6	16.5	15.6
G	7.1	8.7	8.0
H	4.4	5.3	6.0
I	12.1	18.0	18.0
J	16.4	18.5	0.0
K	6.1	8.5	0.0
L	0.8	1.7	1.4
M	2.8	3.7	3.7

Model	Torque in-lbs	Motor kW	Current (A)	90°/sec	Weight Kg	Lbs
NT60-0.5	5280	0.18	0.95	30	70	154
NT90-0.5	7920	0.25	1.3	30		
NT120-0.5	10560	0.25	1.3	30		
NT200-0.5	17600	0.37	1.6	30		
NT250-0.5	22000	0.37	1.6	30	120	264
NT400-0.5	35200	0.37	2.4	30		
NT50-0.5	44000	0.55	2.72	30		
NT600-0.5	52800	0.75	3.4	30		
NT800-0.25	70400	0.55	3.4	60	210	462
NT1000-0.25	88000	1.5	4.5	60		
NT1200-0.25	105600	2.2	6.5	60		

Performance:



Drive Nut and Mounting Dim.

	d1	d3	d7	n-d4	h	t	T
NT60 - NT250	6.89	5.51	1.97	4-M16	0.98	0.28	2.64
NT400 - NT600	8.27	6.50	2.76	4-M20	1.18	0.24	3.11
NT800 - NT1200	11.81	10.00	4.13	8-M16	1.18	0.24	4.57

Note: All dimensions are converted from metric

Options:

EV and NV Series

See Bulletins B00010 and B00020 for smaller sized electric actuators from Valvsys. Torques from 125 inlbs to 1,000 inlbs.

Control Boxes

NEM4, NEMA 7, and non-metallic control boxes for on/off, remote control, "jogging", and other specific and custom wired functions. Consult Factory.

While the information contained in this literature is believed to be accurate it is supplied for informative purposes only and should not be considered certified or as a guarantee of satisfactory results by reliance thereon. Nothing contained herein is to be construed as a warranty or guarantee, express or implied, regarding any matter with respect to this product. Products may differ as the result of Valvsys, LLC policy of continuous product improvement.



www.valvsys.com
info@valvsys.com

Valvsys, LLC
421 Breaden Dr., #15
Monroe, OH 45050
ph 513.539.1234
fx 513.539.2176

© 2002 Valvsys, LLC
All rights reserved.

B00067