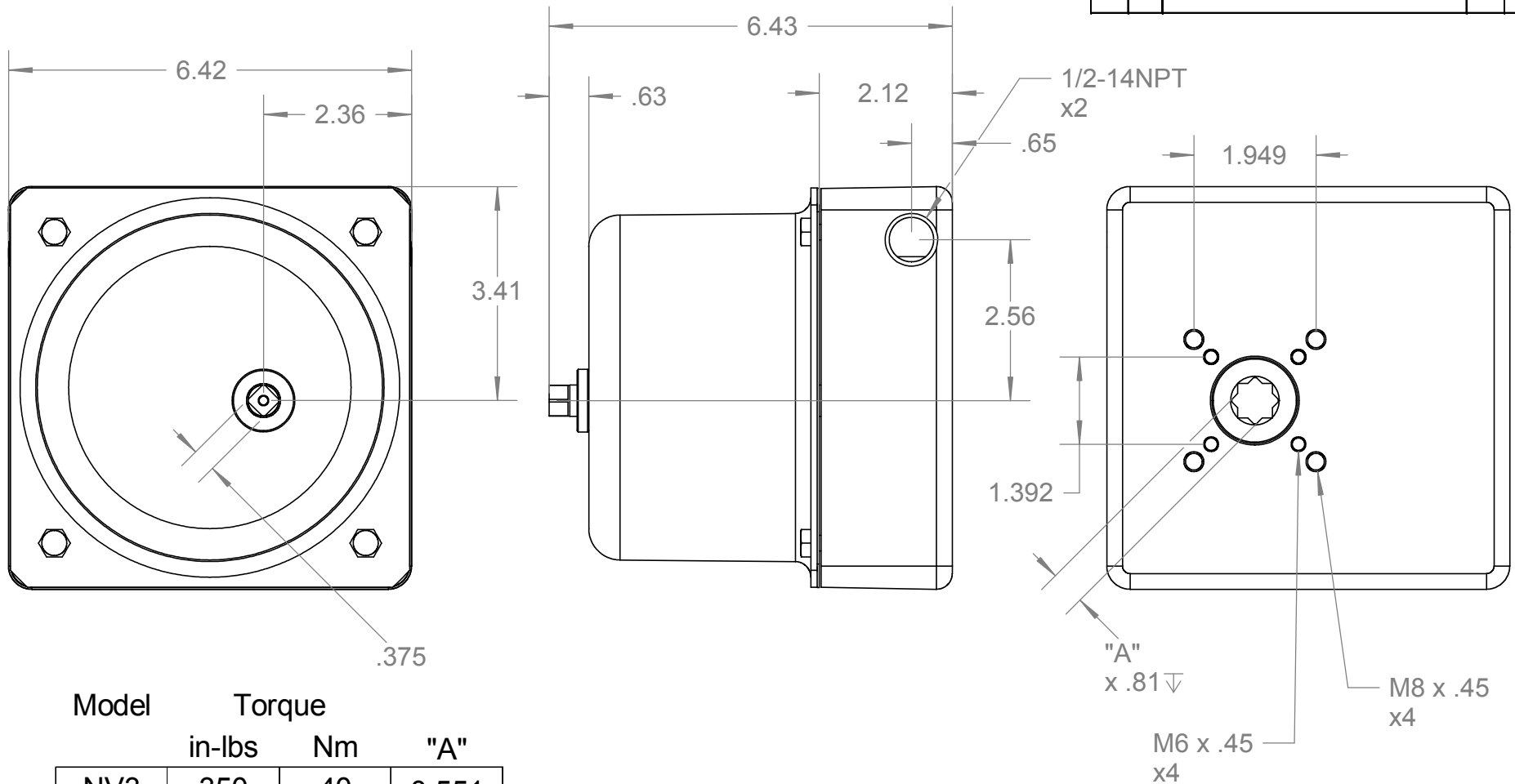



800126

REV	ECN	DESCRIPTION	DWN	DATE



Model	Torque		"A"
	in-lbs	Nm	
NV3	350	40	0.551
NV4	475	54	0.551
NV6	625	71	0.669
NV7	725	82	0.669
NV1K	1000	114	0.669
NV1.5K	1500	170	0.669

NOTE:
 1. Actuator shown in full CW position as viewed from the Manual Override side.

NAME NV Outline Dim Drawing		DWN BF	CHKD
		03.07.01	
Valvsys		421 BREADEN DR #15 MONROE, OH 45050-1575 (513) 539-1234 (513) 539-2176	
		 SCALE	
THE DESIGN AND DISCLOSURE CONTAINED IN THIS DRAWING WAS ORIGINATED BY, AND IS THE EXCLUSIVE PROPERTY OF VALVSY, LLC. IT IS FURNISHED FOR VENDOR INFORMATION ONLY AND IS NOT AN AUTHORIZATION -OR- LICENSE TO MAKE THIS CONSTRUCTION OR TO FURNISH THIS INFORMATION TO OTHERS. ALL DRAWINGS MUST BE RETURNED TO VALVSY, LLC ON DEMAND. THIS DRAWING IS NOT TO BE REPRODUCED OR COPIED IN ANY FORM WITHOUT THE EXPRESS WRITTEN PERMISSION OF VALVSY, LLC.		TOLERANCE UNLESS OTHERWISE SPECIFIED: TWO PLACE DECIMAL: DIM. +/- 0.02 THREE PLACE DECIMAL: DIM. +/- 0.010 ANGULAR DIM. +/- 0°-30°	
		DO NOT SCALE DRAWINGS	

800126