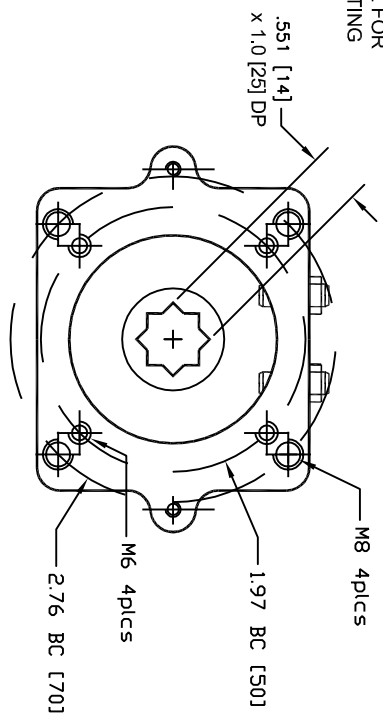
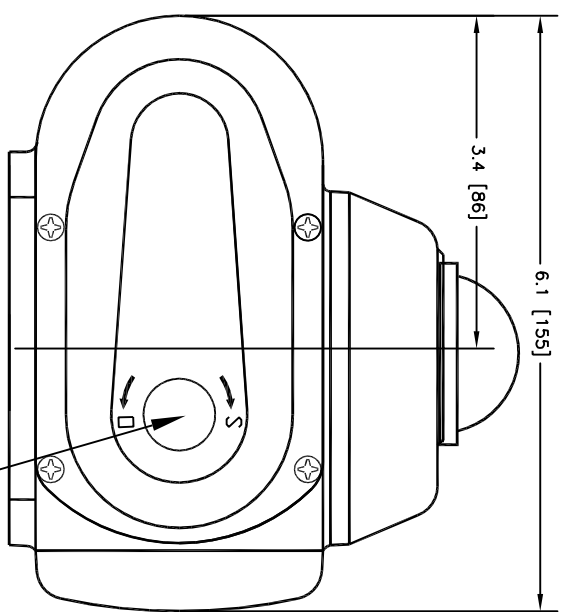


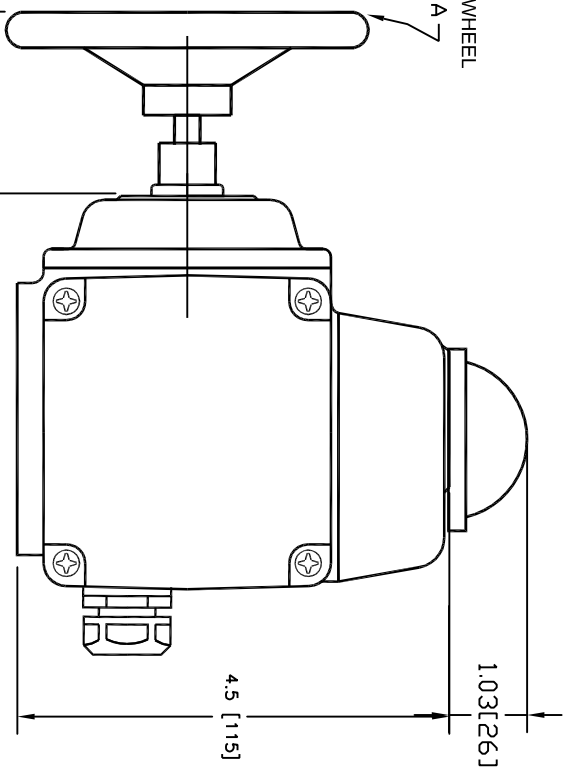
ADDITIONAL FOR T1 MODULATING OPTION



VALVE MOUNTING DIMENSIONS



OPTIONAL HANDWHEEL 4.7 [120] DIA



NL1 (177inlbs - 10Nm) and NL4 (440inlbs - 50Nm)

Direct Acting Manual Override

CONVERT DIM FROM MM

NAME	NL1 and NL4 Electric Actuators	DWN	BF	CHKD
		10.12.03		
<p>Valvsys</p> <p>421 Breddon Dr. STE 15 Morroe, Ohio 45050 (513) 539-1234 Fax: (513) 539-2176</p>				
<p>THE DESIGN AND DISCLOSURE CONTAINED IN THIS DRAWING IS THE PROPERTY OF VALVSYS LLC. IT IS FURNISHED FOR YOUR INFORMATION ONLY AND IS NOT AN AUTHORIZATION OR LICENSE TO MAKE THIS CONSTRUCTION OR TO FURNISH THIS INFORMATION TO OTHERS. ALL DRAWINGS MUST BE RETURNED TO VALVSYS LLC ON DEMAND. THIS DRAWING IS NOT TO BE REPRODUCED OR COPIED IN ANY FORM WITHOUT THE EXPRESS WRITTEN PERMISSION OF VALVSYS LLC.</p>				
<p>TOLERANCE UNLESS OTHERWISE SPECIFIED: DIM +/- .002 THREE PLACE DECIMAL DIM +/- .0010 ANGULAR DIM +/- 0° -30°</p>				
<p>DDI INT SCALE DRAWINGS</p>				