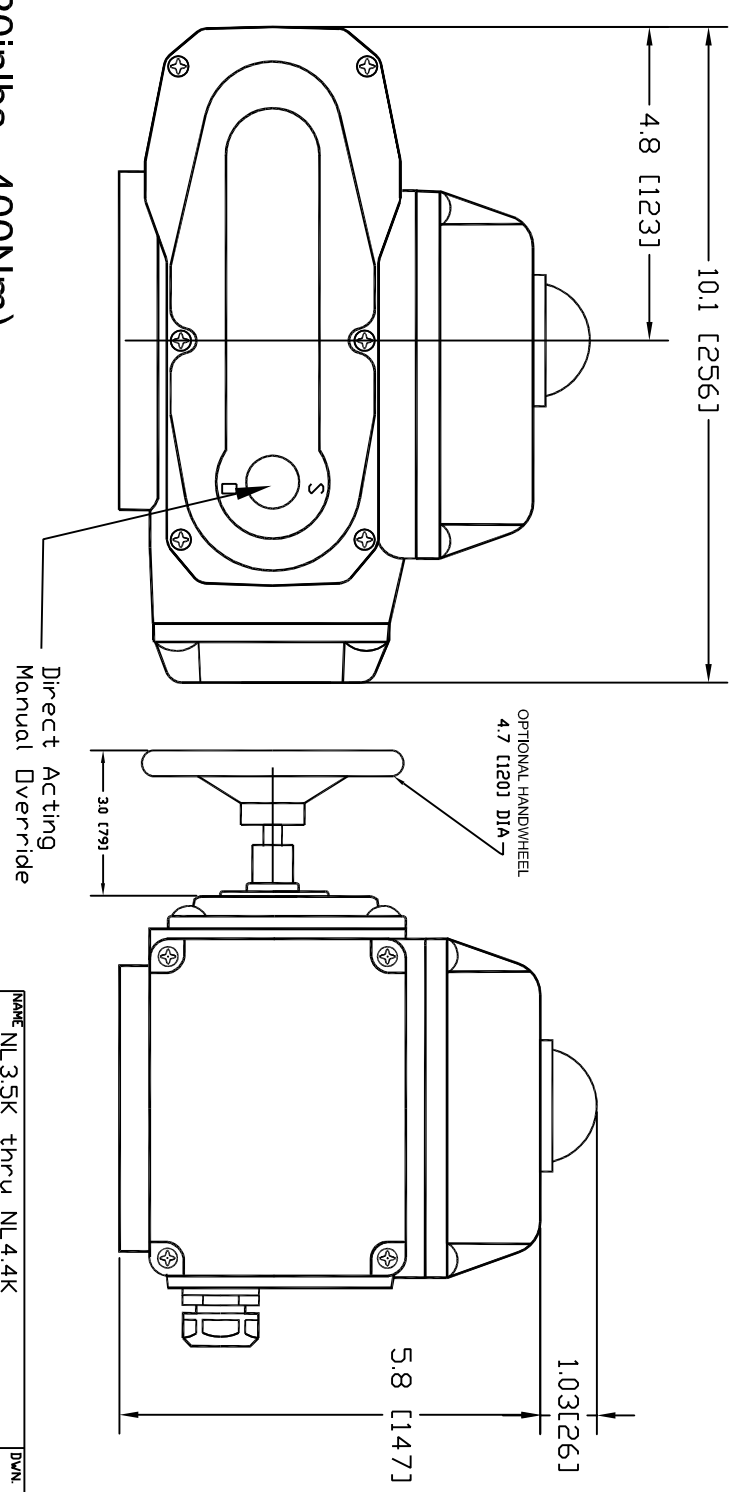
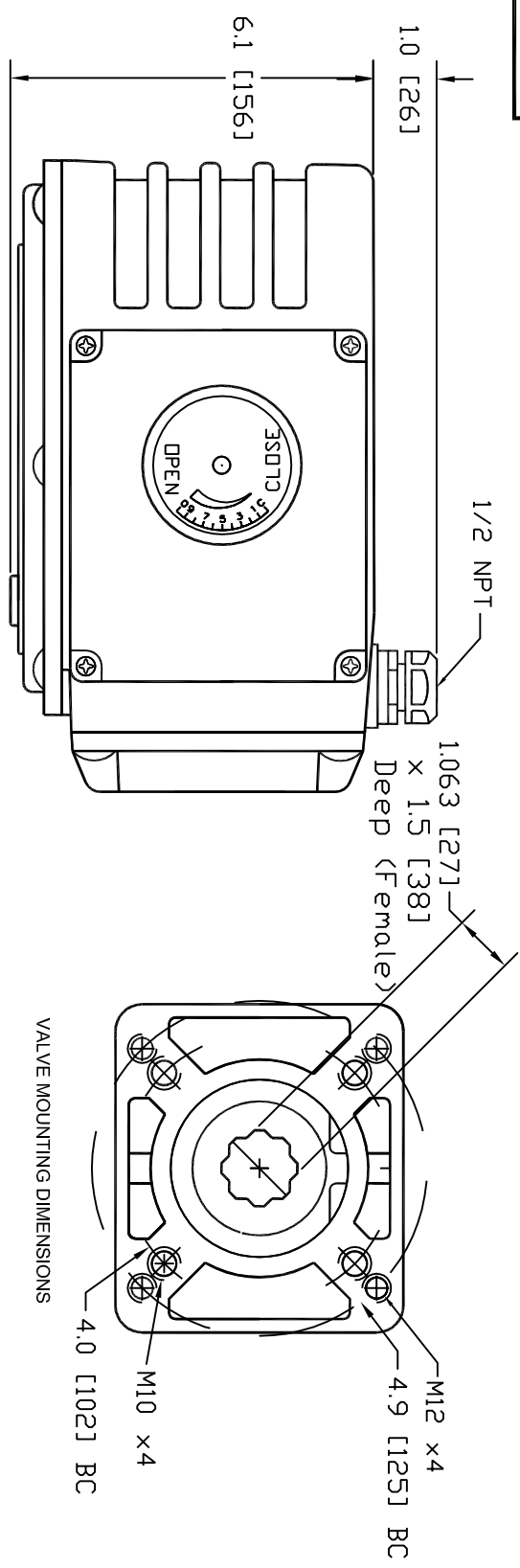


800161



NL3.5K (3520inlbs - 400Nm)  
 NL4.4K (4400inlbs - 500Nm)

CONVERT DIM FROM MM

|  |  |   |        |
|--|--|---|--------|
| NAME: NL3.5K thru NL4.4K Electric Actuators  |  | DWN: BF   | CHKD:  |
|  |  | REV: C  | SCALE: |
| 421 Breeden Dr. STE 15<br>Monroe, Ohio 45050<br>(513) 539-1234<br>Fax: (513) 539-2176  |  | TOLERANCE UNLESS OTHERWISE SPECIFIED:<br>TWO PLACE DECIMAL<br>THREE PLACE DECIMAL<br>ANGULAR DIM. +/- 0° -30° |        |
| THE DESIGN AND DISCLOSURE CONTAINED IN THIS DRAWING WAS ORIGINATED BY AND IS THE EXCLUSIVE PROPERTY OF VALVSYS LLC. IT IS FURNISHED FOR VENDOR INFORMATION ONLY AND IS NOT AN AUTHORIZATION -OR- LICENSE TO MAKE THIS CONSTRUCTION OR TO FURNISH THIS INFORMATION TO OTHERS. ALL DRAWINGS MUST BE RETURNED TO VALVSYS LLC ON DEMAND. THIS DRAWING IS NOT TO BE REPRODUCED OR COPIED IN ANY FORM WITHOUT THE EXPRESS WRITTEN PERMISSION OF VALVSYS LLC. |  |   |        |
| DD NOT SCALE DRAWINGS  |  |   |        |